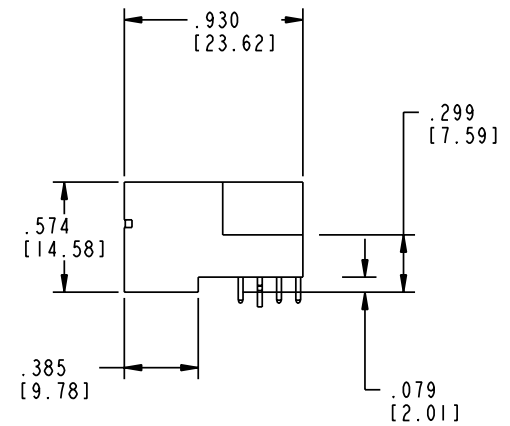
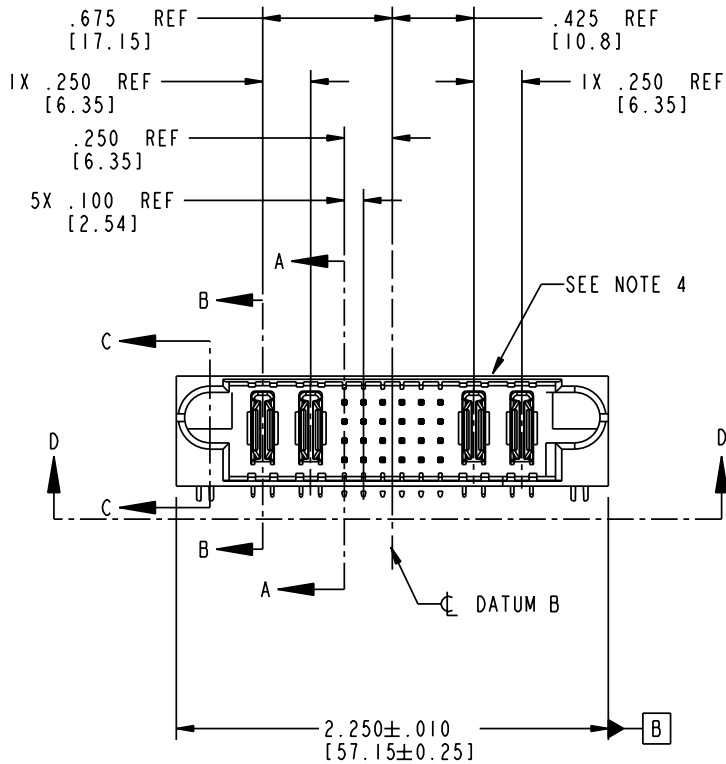
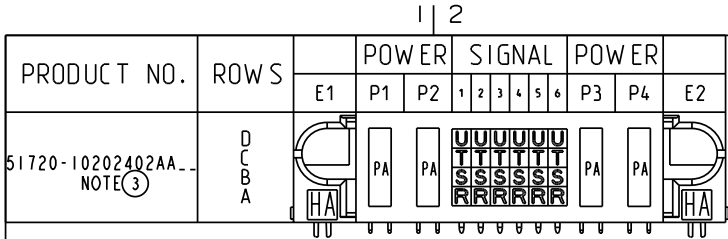


Tous droits strictement réservés. Reproduction ou communication a des tiers interdite sous quelque forme que ce soit sans autorisation écrite du propriétaire. Propriété de c FCI. Droits de reproduction FCI.

All rights strictly reserved. Reproduction or issue to third parties in any form whatever is not permitted without written authority from the proprietor. Property of FCI. Copyright FCI.

FCI



CODE	DIM "M" MATING LENGTH	CONTACT TYPE
R	.270 [6.86]	SIGNAL
S	.270 [6.86]	SIGNAL
T	.270 [6.86]	SIGNAL
U	.270 [6.86]	SIGNAL
PA	N/A [N/A]	POWER
HA	N/A [N/A]	HOLD-DOWN

mat'l code				SEE NOTE 2		tolerances unless otherwise specified		CUSTOMER	
lfr	ecn no.	dr	date	linear	.XX±.01/0.X±0.3	COPY		FCI www.fciconnect.com	
A	V02749	CGD	11/27/00		.XXX±.005/0.XX±0.13	projection		title 2P + 24S + 2P	
B	V12844	DAI	12/27/01		.XXX±.0020/0.XXX±0.051	scale		RIGHT ANGLE SOLDER HEADER	
C	DG05-0064	SW	03/30/05	angles	0° ± 2°	1:1		product family PwrBlade code 213	
				dr	C.DAILY 11/27/00			size dwg no 51720-10202402AA sheet 1 of 4	
				enrg	J.DODDS 11/27/00				
				chr	J.DODDS 11/24/00				
				appd	J.DODDS 11/27/00				
sheet index	revision sheet	C 1	C 2	C 3	C 4				

CUSTOMER		FCI		www.fciconnect.com	
COPY		projection		title 2P + 24S + 2P	
scale 1:1		product family PwrBlade		code 213	
		size dwg no 51720-10202402AA		sheet 1 of 4	

Pro/E

PDM: Rev: C

STAT: Released 2006

Printed: Aug 12, 2007

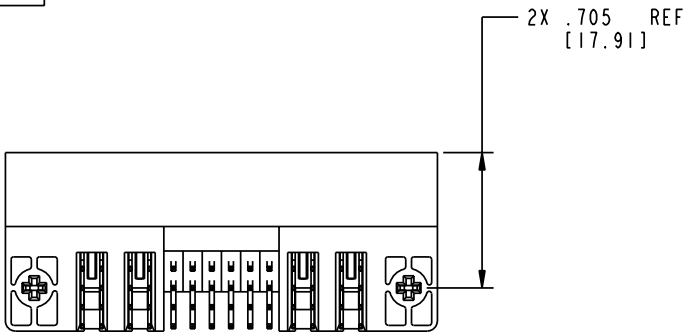
Tous droits strictement réservés. Reproduction ou communication a des tiers interdite sous quelque forme que ce soit sans autorisation écrite du propriétaire. Propriété de c FCI. Droits de reproduction FCI.

All rights strictly reserved. Reproduction or issue to third parties in any form whatever is not permitted without written authority from the proprietor. Property of FCI. Copyright FCI.

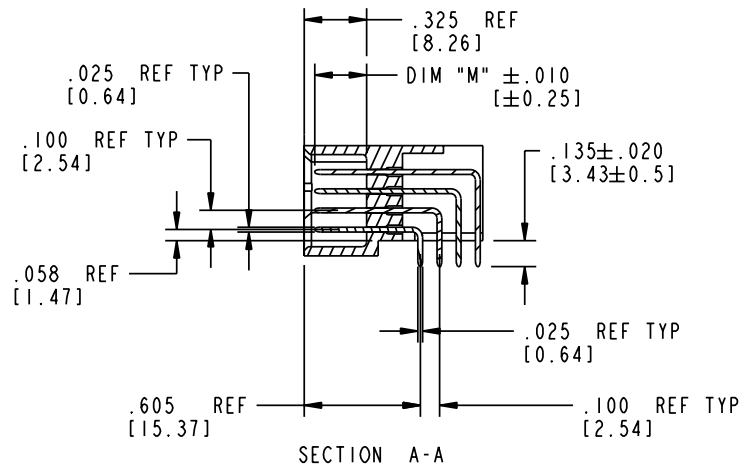
FCI

PRODUCT NUMBER

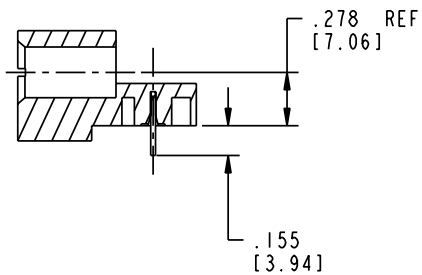
51720-10202402AA...
NOTE (3)



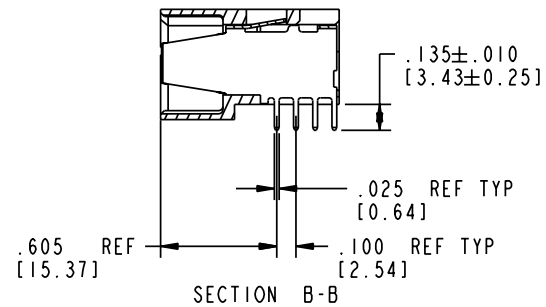
SECTION D-D



SECTION A-A



SECTION C-C



SECTION B-B

mat'l code				SEE NOTE 2	tolerances unless otherwise specified	CUSTOMER	FCI www.fciconnect.com	
lfr	ecn no.	dr	date	linear	.XX±.01/0.X±0.3	COPY	title	
C				projection	.XXX±.005/0.XX±0.13		2P + 24S + 2P	
				angles	.XXX±.0020/0.XXX±0.051		RIGHT ANGLE SOLDER HEADER	
				dr	0° ± 2°		product family	
				enrg	C.DAILY 11/27/00		PwrBlade	
				chr	J.DODDS 11/27/00		size	code
				appd	J.DODDS 11/24/00		dwg no	213
sheet index	revision sheet					scale	A	51720-10202402AA
						1:1		2 of 4

Pro/E

PDM: Rev: C

STAT US: Released 22526

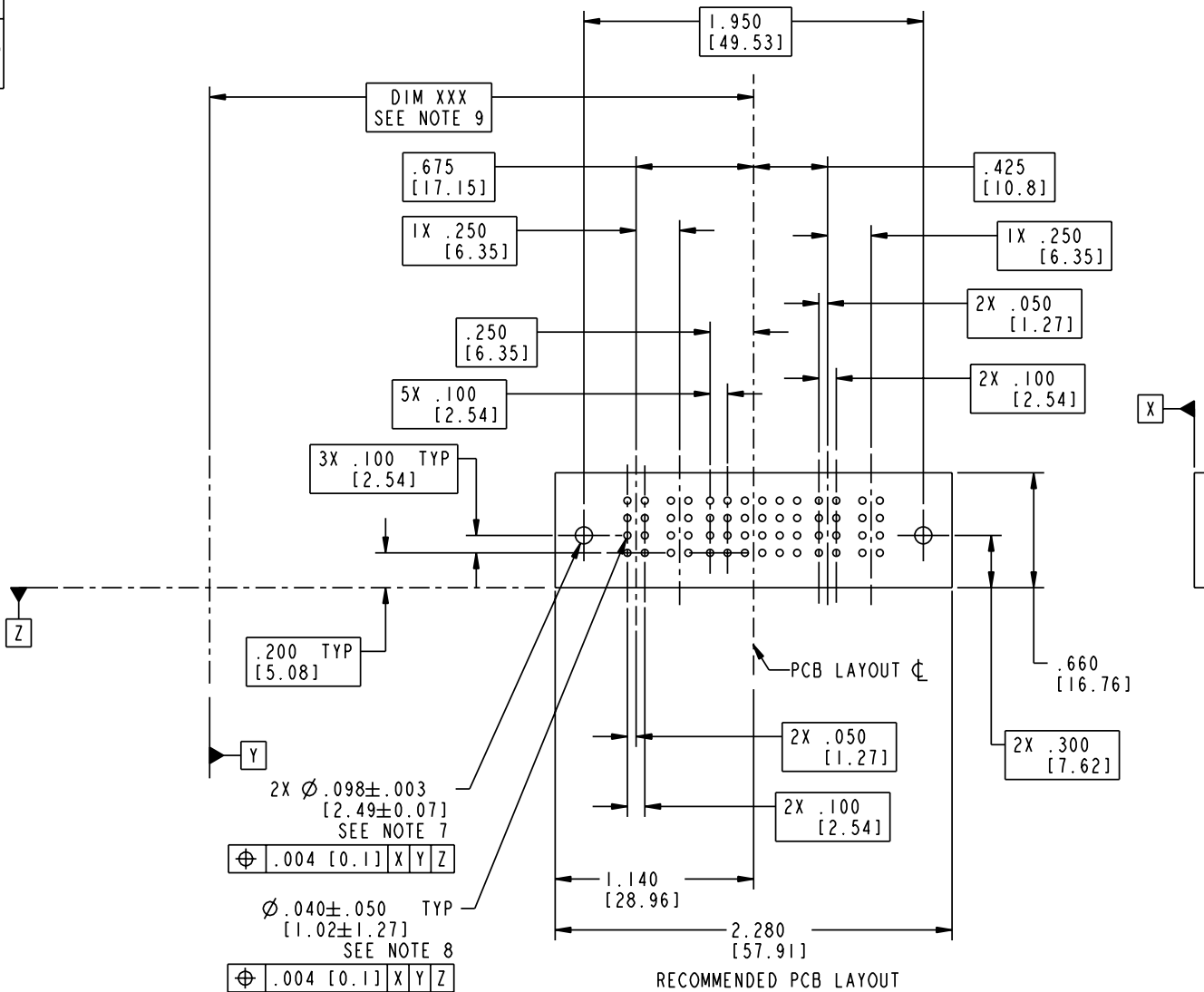
Printed: Aug 12, 2007

Tous droits strictement réservés. Reproduction ou communication a des tiers interdite sous quelque forme que ce soit sans autorisation écrite du propriétaire. Propriété de c FCI. Droits de reproduction FCI.

All rights strictly reserved. Reproduction or issue to third parties in any form whatever is not permitted without written authority from the proprietor. Property of FCI. Copyright FCI.

FCI

PRODUCT NUMBER
51720-10202402AA
 NOTE ③



RECOMMENDED PCB LAYOUT

mat'l code		SEE NOTE 2		tolerances unless otherwise specified		CUSTOMER		 www.fciconnect.com	
lfr	ecn no.	dr	date	linear	.XX±.01/0.X±0.3	COPY		title	
C				angles	.XXX±.005/0.XX±0.13	projection		2P + 24S + 2P RIGHT ANGLE SOLDER HEADER	
				dr	.XXX±.0020/0.XXX±0.051			product family	
				enrg	0°±2°			PwrBlade	
				chr	C.DAILY 11/27/00	scale		code	
				appd	J.DODDS 11/27/00	1:1		213	
					J.DODDS 11/24/00			sheet	
					J.DODDS 11/27/00			3 of 4	
sheet index	revision sheet							size dwg no A 51720-10202402AA	

code code
 22526
 Released

Pro/E

PDM: Rev: C

STAT US: Released Printed: Aug 12, 2007

Tous droits strictement réservés. Reproduction ou communication a des tiers interdite sous quelque forme que ce soit sans autorisation écrite du propriétaire. Propriété de c FCI. Droits de reproduction FCI.

A
FCI

All rights strictly reserved. Reproduction or issue to third parties in any form whatever is not permitted without written authority from the proprietor. Property of FCI. Copyright FCI.

B

1 | 2

3 |

4

PRODUCT NUMBER
51720-10202402AA--
NOTE ③

NOTES:

1. DIMENSIONS AND TOLERANCES ARE IN ACCORDANCE WITH ASME Y14.5M, 1994 UNLESS OTHERWISE SPECIFIED.

CONNECTORS NOTES:

2. HOUSING MATERIAL: UL 94 V-0 GLASS FILLED HIGH TEMP THERMO PLASTIC
POWER CONTACT MATERIAL: COPPER ALLOY
SIGNAL PIN MATERIAL: COPPER ALLOY

3. PLATING:

51720-10202402AA Singal Pin:30u"/0.76um Au OVER 50u"/1.27um Ni ON THE WHOLE AREA.
Power Pin:30u"/0.76um Au OVER 50u"/1.27um Ni ON THE CONTACT AREA,
AND 100u"/2.54um SnPb PLATING OVER 50u"/1.27um Ni ON THE TERMINATION SECTION.

51720-10202402AALF Singal Pin:30u"/0.76um Au OVER 50u"/1.27um Ni ON THE WHOLE AREA.
Power Pin:30u"/0.76um Au OVER 50u"/1.27um Ni ON THE CONTACT AREA,
AND 78u"/2.00um Sn PLATING OVER 50u"/1.27um Ni ON THE TERMINATION SECTION.

PART NUMBER 51720-10202402AALF MEETS EUROPEAN UNION DIRECTIVE AND OTHER COUNTRY REGULATIONS AS DESCRIBED IN GS-22-008.

THE HOUSING WILL WITHSTAND EXPOSURE TO 260° PEAK TEMPERATURE FOR 10 SECONDS IN A WAVE SOLDER APPLICATION WITH A CIRCUIT BOARD.

4. "MANUFACTURER" NAME, P/N, AND DATE CODE TO APPEAR ON THIS SURFACE.

5. PRODUCT SPECIFICATION GS-12-149.


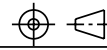
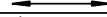
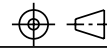
PCB - NOTES:

6. ALL HOLE DIAMETERS ARE FINISHED HOLE SIZE.

7. HOLD DOWN THROUGH HOLES ARE UNPLATED.

8. $\varnothing .0453 \pm 0.0010$ [1.151 \pm 0.025] DRILLED HOLES PLATED WITH 0.0003 [0.008] MIN SnPb OVER .001 [0.03] TO .003 [0.08] Cu PLATING TO ACHIEVE $\varnothing .040 \pm .003$ [1.02 \pm .07] HOLE.

9. "DIM XXX" TO BE DETERMINED BY THE CUSTOMER.

mat'l code				SEE NOTE 2		tolerances unless otherwise specified		CUSTOMER		 www.fciconnect.com	
lfr	ecn no.	dr	date	linear	.XX±.01/0.X±0.3		COPY		 	title	
C					.XXX±.005/0.XX±0.13		projection			2P + 24S + 2P	
					.XXX±.0020/0.XXX±0.051					RIGHT ANGLE SOLDER HEADER	
				angles	0° ± 2°		product family		code		
				dr	C.DAILY 11/27/00		PwrBlade		213		
				enrg	J.DODDS 11/27/00		size		sheet		
				chr	J.DODDS 11/24/00		51720-10202402AA		4 of 4		
				appd	J.DODDS 11/27/00		scale				
sheet index		revision sheet				1:1					

A

B

1 | 2

Pro/E

PDM: Rev: C

STAT  Printed: Aug 12, 2007